

# Multicomm Intelligent Junction Box

## Features

- 4,000 metre depth rating
- Supplied with 4 x 6m Tritech Interconnect cables
- AUX port for non Tritech RS232/485 sensors

## Applications

- Fibre optic interfacing
- RS232 multiplexed interfacing
- Time critical system integration

The Multicomm Intelligent Junction Box from Tritech is a simple yet effective answer for interfacing SeaKing or SeaPrince sensors subsea.

The Multicomm can be linked to a number of SeaKing sensors and communication can then be made to the SCU (Surface Control Unit) using RS232 protocol.

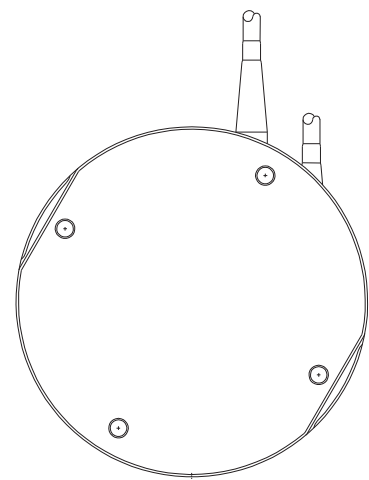
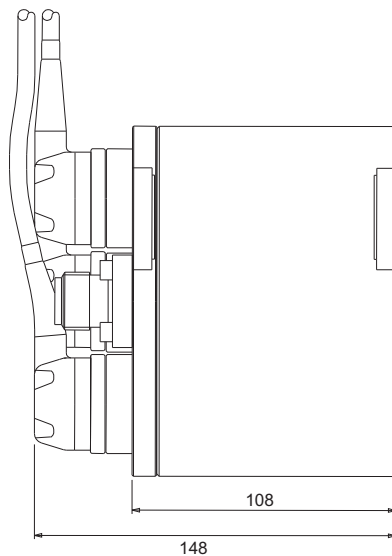
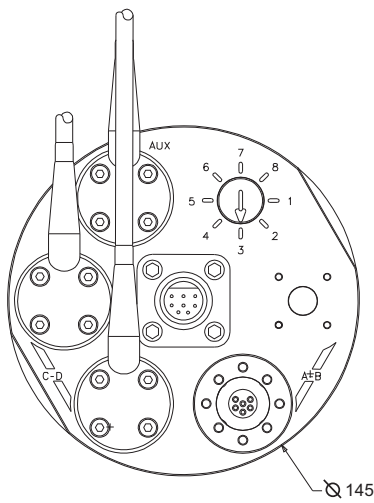
As well as providing RS232 output the Multicomm can be set to act as a transparent interface allowing communication using Tritech's ArcNet protocol. This transparent interface also accepts SeaPrince sensors, which provides a simple junction box for system installations where time is critical.

The Multicomm not only interfaces to the full range of SeaKing sensors, the Multicomm can also accept a serial output from a third party sensor such as a gyro. This connects to the Multicomm's Aux Port

The flexibility of this Multicomm provides users with a package that can be interfaced almost anywhere.



## Specifications



All measurements in mm

|                          |  |
|--------------------------|--|
| <b>Main connector</b>    | 8 pin Mini Burton  |
| <b>Sensor connectors</b> | 4 x 6 pin Tritech / Aux Port                             |
| <b>Input voltage</b>     | 24-30VDC   |
| <b>Current drain</b>     | 2A with 4 sensors (typical)                              |
| <b>Depth rating</b>      | 4,000 metres   |
| <b>Housing</b>           | Anodised aluminium                                       |
| <b>Weight in air</b>     | 3.8 Kg   |
| <b>Weight in water</b>   | 1.9 Kg   |
| <b>Interface cables</b>  | 4 x 6 metre Tritech interconnect cables                  |
| <b>Diameter</b>          | 145mm  |
| <b>Height</b>            | 108mm (148mm with Tritech connectors fitted)             |
| <b>Communication</b>     | ArcNet (156k - 78.1k Baud)<br>RS232 (115.2k - 9600 Baud) |
| <b>Compatibility</b>     | Backwards support for SCU-3 sensor suites                |

All specifications are subject to change in line with Tritech's policy of continual product development.

Ref: EDS-CAI-003.4